

Camp Jordan Arena



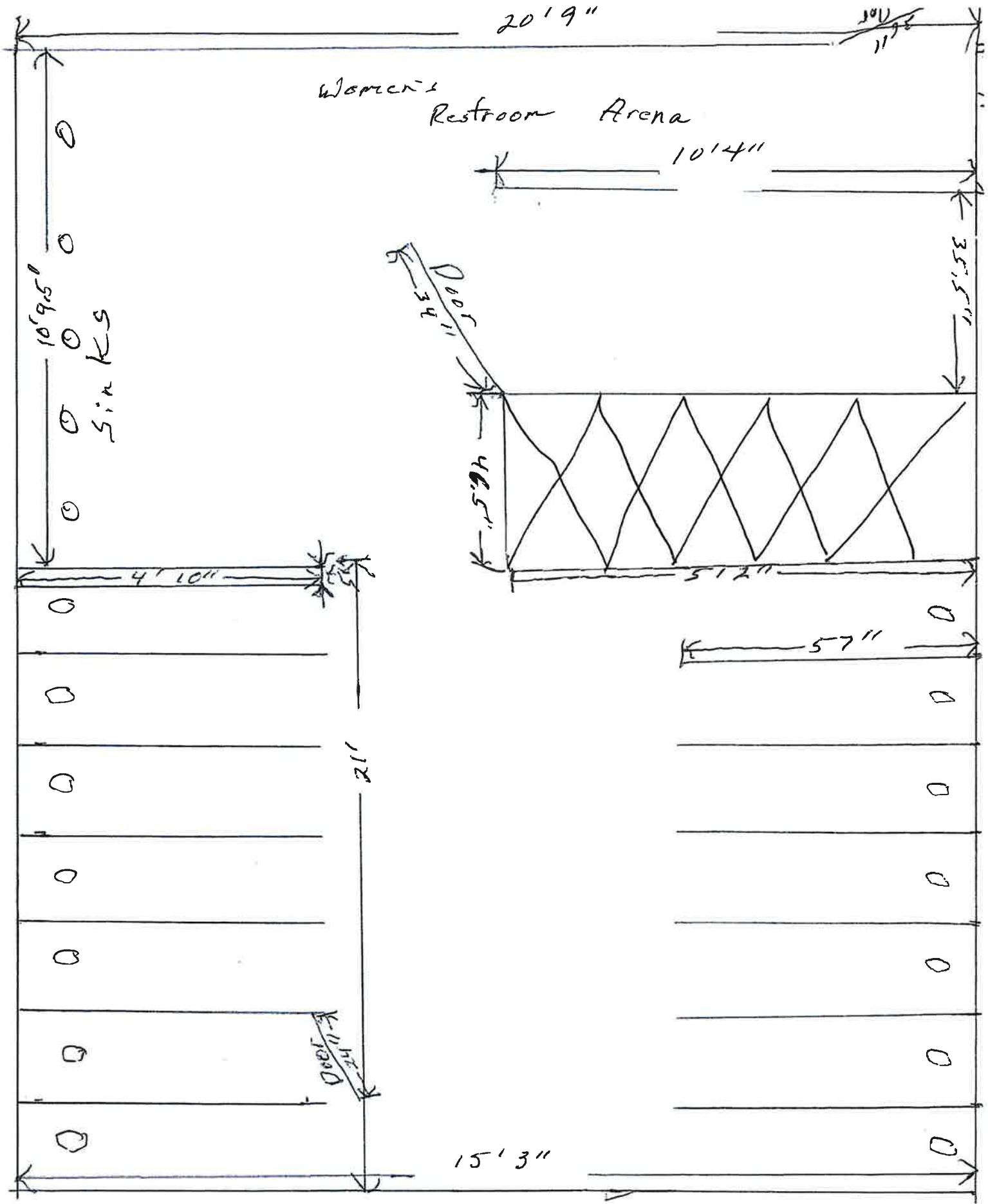
Built in 1993, Camp Jordan Arena is a 34,000 square foot facility with 27,000 square feet of column-free exhibition space located at the junction of Interstates 24 and 75. The arena is heated and air-conditioned and can seat up to 3,500 in permanent bleachers and another 2,000 on the floor.

The arena was designed to accommo-

date a wide range of activities, including indoor soccer and sporting events, concerts, entertainment productions, religious gatherings, exhibitions, horse shows and rodeos, agriculture meetings, equipment and trade shows.

More than 1,000 hotel rooms are located within a mile of Camp Jordan, as are a number of restaurants. Tennessee's largest shopping mall is less than five minutes away and downtown Chattanooga is a short drive on the interstate.

Camp Jordan Arena is suitable for banquets, receptions and seminars in addition to the events already listed. There is ample parking for approximately 1,000 cars.



20'9"

~~10'11"~~
11'9.5"

Women's Restroom Arena

10'4"

10'9.5"
Sinks

35.5"

3'0"
34"

46.5"

51.2"

4'10"

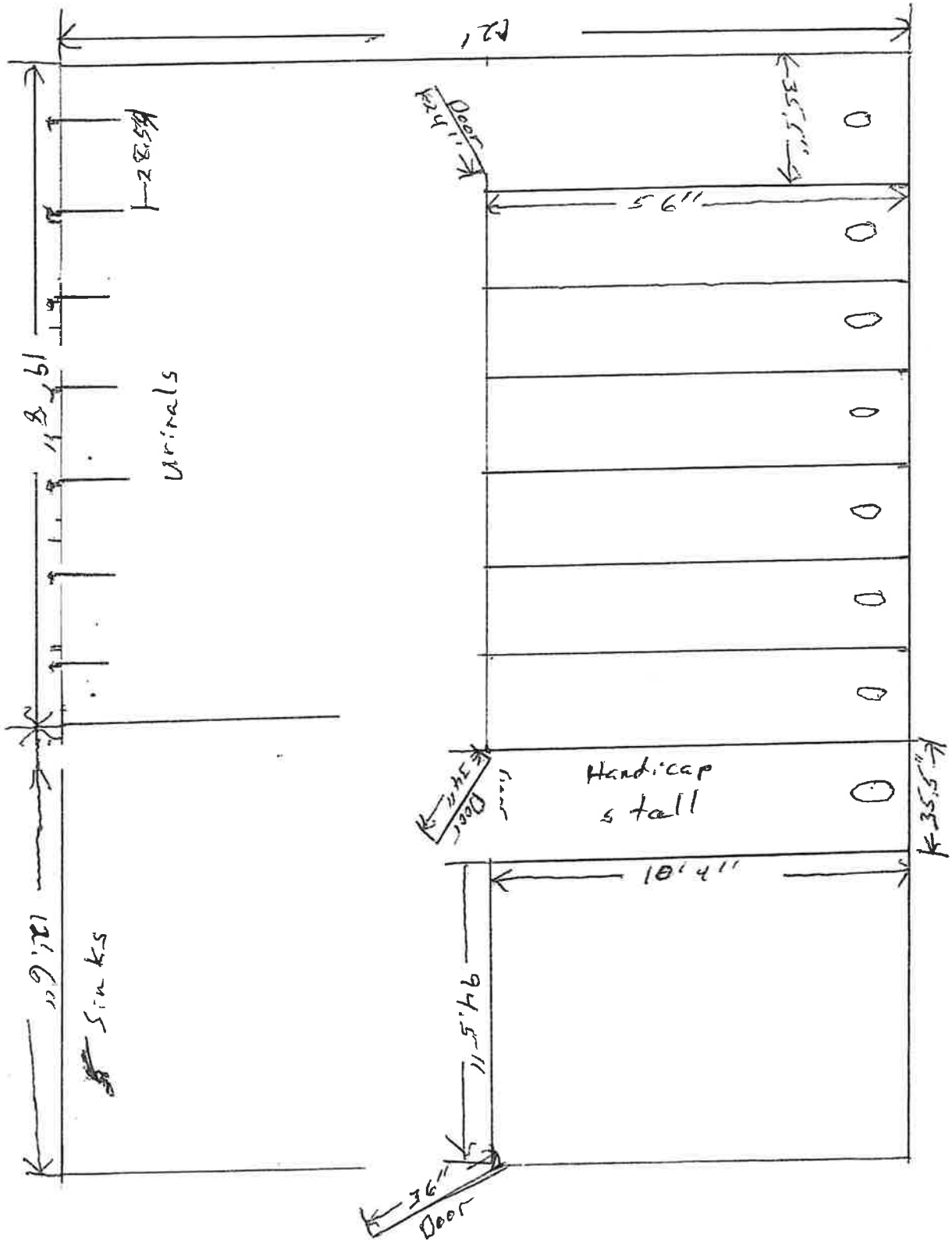
57"

21'

K-11/100

15'3"

Mens Restroom Area



CAMP JORDAN ARENA

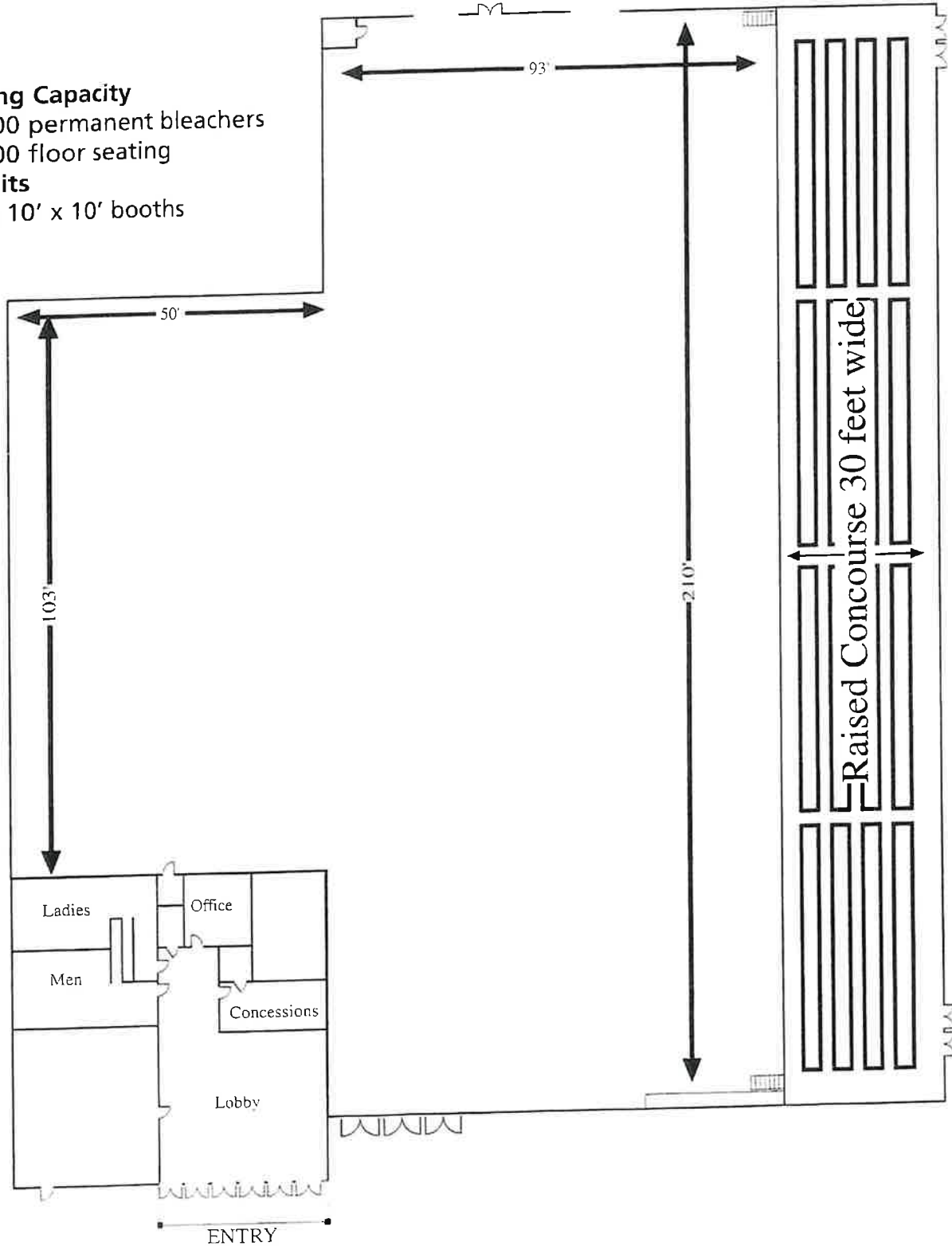
323 Camp Jordan Parkway • East Ridge, TN 37412
(423) 490-0107 • Fax: (423) 490-0834

Seating Capacity

3,500 permanent bleachers
2,000 floor seating

Exhibits

135 10' x 10' booths



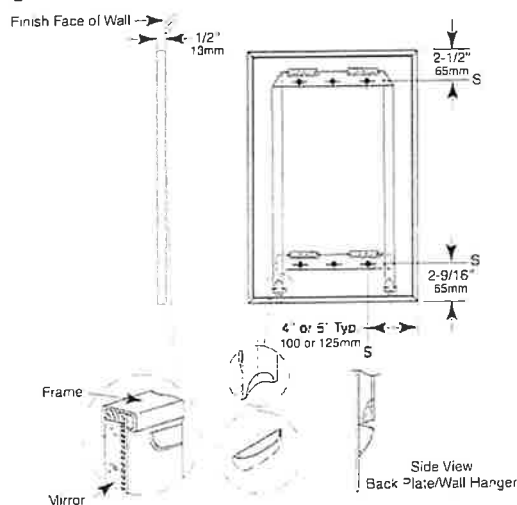


Designer's Notes:

1. Special-order sizes available on request.
2. Maximum size mirror available, 96" x 72" (244 x 183cm); minimum size, 13" x 19" (33 x 48cm).
3. All Bobrick framed mirrors are manufactured to overall width and height dimensions. EXAMPLE: A 24" x 36" (61 x 91cm) mirror will be furnished 24" x 36" (61 x 91cm) outside-of-frame to outside-of-frame.
4. To specify special sizes use Series Number followed by width then height in inches. EXAMPLE: B-165 2024.
5. Bobrick framed mirrors are manufactured to a tolerance 1/8" (3.2mm).
6. For sufficient space to lift mirror onto wall hanger(s), provide 1" (25mm) minimum clearance above top of mirror frame.
7. Provide 1" (25mm) minimum clearance at bottom of mirror for unlocking mirror from wall and 1/2" (12.7mm) minimum clearance on each side.

**Snap Locking Design
(Rear View)**

Figure: 1

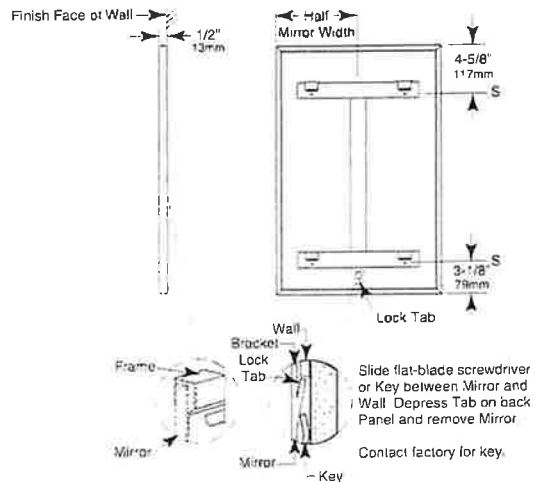


STANDARD B-165 SERIES MIRRORS

MODEL NO.	OVERALL SIZE	
	W	H
B-165 1824	18" (46cm)	24" (61cm)
B-165 1830	18" (46cm)	30" (76cm)
B-165 1836	18" (46cm)	36" (91cm)
B-165 2436	24" (61cm)	36" (91cm)
B-165 2448	24" (61cm)	48" (122cm)
B-165 2460	24" (61cm)	60" (152cm)

**Lock Tab Design
(Rear View)**

Figure: 2



STANDARD B-165 SERIES MIRRORS

MODEL NO.	OVERALL SIZE	
	W	H
B-165 4836	48" (122cm)	36" (91cm)

All Other Size Mirrors

Note: Mirrors greater than 30" in width will have multiple hanger brackets with a typical 8" off each edge.

Width	Hangers
Up to 30" (Up to 76cm)	1
31" to 41" (78 to 104cm)	2
42" to 72" (106 to 183cm)	3
73" to 91" (185 to 231cm)	4
92" to 96" (233 to 243cm)	5

continued...

MATERIALS:

Frame — Type-430 stainless steel, 1/2" x 1/2" x 3/8" (13 x 13 x 9.5mm) channel with 1/4" (6mm) return at rear for Snap Locking Design; 1/2" x 1/2" x 1/2" (13 x 13 x 13mm) channel for Lock Tab Design, with bright polished finish. One piece frame with 90 degree mitered corners. Galvanized steel back has integral horizontal hanging brackets near the top for hanging the mirror and near the bottom to prevent the bottom of the mirror from pulling away from the wall. Locking devices secure mirror to concealed wall hanger.

Mirror — No. 1 quality, 1/4" (6mm) select float glass: selected for silvering, electrolytically copper-plated by the galvanic process, and guaranteed for 15 years against silver spoilage. Back is protected by full-size, shock-absorbing, water-resistant, nonabrasive, polyethylene padding.

Concealed Wall Hanger — Galvanized steel construction. Incorporates upper and lower support members, which engage backplate louvers to keep mirror against wall.

INSTALLATION:

Mount wall hanger on wall with screws (not furnished) at points indicated by an S. For plaster or dry wall construction, provide backing to comply with local building codes, then secure wall hanger with screws (not furnished). When providing a concealed backing, allow backing to cover minimum range of mounting hole locations shown on drawing. For other wall surfaces, provide fiber plugs or expansion shields for use with screws (not furnished), or provide 1/8" (3mm) toggle bolts or expansion bolts. Hang mirror on wall hanger with all four backplate louvers engaged behind horizontal wall hanger members. To do this, mirror must be centered in front of the wall hanger horizontally, pressed flat against the wall approximately 1" (25mm) above final position and then lowered into final position.

Snap Locking Design — Locking devices automatically secure mirror to concealed wall hanger when it is lowered into final position (see figure 3). Locking devices may be unlocked by inserting two flat blade screwdrivers behind each side of mirror near the bottom or under the bottom of the mirror and pulling mirror bottom forward and then up.

Lock Tab Design — Locking devices automatically secure mirror to concealed wall hanger when it is lowered into final position (see figure 4). Locking device may be unlocked by sliding a flat-blade screwdriver or Key between mirror and wall at center of mirror and depressing tab on back panel. If key is required, please contact the factory.

**Snap Locking Design
(Front View)**

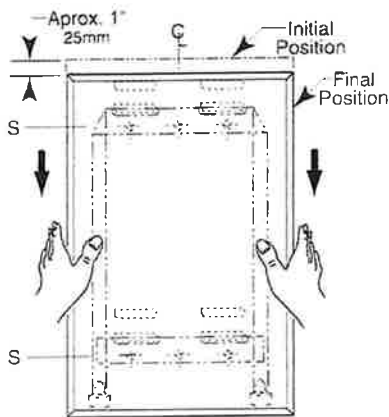


Figure: 3

**Lock Tab Design
(Front View)**

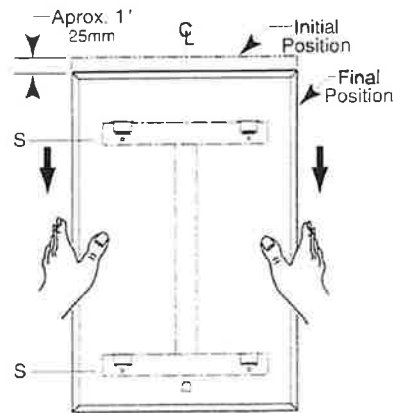


Figure: 4

SPECIFICATION:

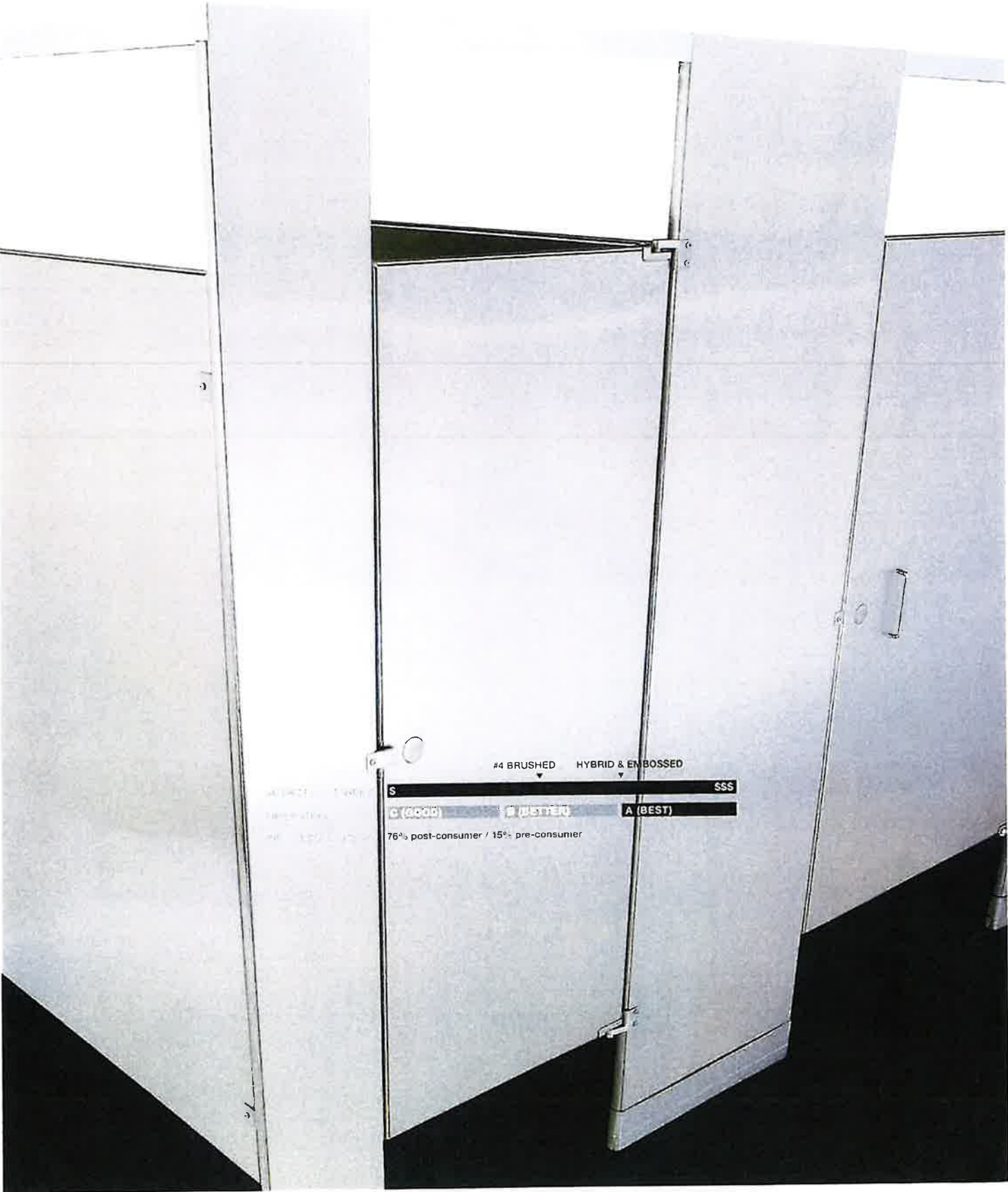
Mirror shall have a one-piece type-430 stainless steel channel frame, with 90° mitered corners; all exposed surfaces shall have bright polished finish. Select float glass mirror shall be guaranteed for 15 years against silver spoilage. The back shall be protected by full-size, shock-absorbing, water-resistant, nonabrasive, polyethylene padding. Galvanized steel back shall have integral horizontal hanging brackets located at top and bottom for mounting on concealed wall hanger to prevent the mirror from pulling away from the wall. Locking devices secure mirror to concealed wall hanger. Mirror shall be removable from the wall.

Framed Mirror shall be Model B-165 _____ (insert width and height) of Bobrick Washroom Equipment, Inc., Clifton Park, New York; Jackson, Tennessee; Los Angeles, California; Bobrick Washroom Equipment Company, Scarborough, Ontario; Bobrick Washroom Equipment Pty. Ltd., Australia; and Bobrick Washroom Equipment Limited, United Kingdom.



STAINLESS STEEL
TOILET PARTITIONS

hadrian®



#4 BRUSHED HYBRID & EMBOSSSED

S SSS

C (GOOD) B (BETTER) A (BEST)

76% post-consumer / 15% pre-consumer

CORROSION RESISTANT

IMPACT RESISTANT

EASY TO CLEAN

Finishes

The long lasting beauty and gleaming modern appearance of Hadrian's stainless steel toilet partitions lend a touch of class to any washroom environment.

#4 BRUSHED STAINLESS STEEL

Hadrian's type 304, #4 brushed stainless steel promotes a hygienic environment while offering excellent corrosion resistance and a clean, modern appearance.

EMBOSSSED STAINLESS STEEL

The unique textured pattern of embossed stainless steel offers added protection against abrasions, smudges and fingerprints.

HYBRID STAINLESS STEEL – BRINGING BOTH FINISHES TOGETHER

Hybrid stainless steel compartments feature an embossed interior for increased protection against vandalism and a #4 brushed finish on the exterior to maintain a clean, smooth appearance on the outside.

Special finishes (such as leather-grain) are available upon request. Minimum quantities may apply.

DURABLE
HYGIENIC

Styles

Hadrian's stainless steel toilet partitions are available in all configurations:



HEADRAIL BRACED



CEILING HUNG



FLOOR MOUNTED



FLOOR TO CEILING

STANDARD SERIES

Hadrian's standard series features 58" (1473mm) high doors and panels, which are mounted 12" (305mm) off the finished floor.

ELITE SERIES

Hadrian's Elite Series offers increased privacy with 64" (1626mm) high doors and panels, mounted just 6" (152mm) or 9" (229mm) from the finished floor. Continuous channels eliminate all sightline gaps.

ELITE PLUS SYSTEM

Taking the Elite concept a step further, Hadrian's Elite Plus System affords additional privacy with 72" (1829mm) high doors and panels, mounted just 6" (152mm) or 9" (229mm) from the finished floor. Continuous channels eliminate all sightline gaps.

ELITE MAX SYSTEM

Elite Max offers maximum privacy with up to 92" (2337mm) high doors and panels -- available in 1" (25mm) increments between 73" (1854mm) and 92" (2337mm), and mounted 4" (102mm), 6" (152mm) or 9" (229mm) from the floor. Indicator latches come standard and optional pedestal mounting is available for easy cleaning and an upscale appearance. Continuous channels eliminate all sightline gaps.

The Ultimate in Privacy

HADRIAN'S NO-SIGHTLINE SOLUTION

Available in a brushed aluminum finish to complement the look of stainless steel, Hadrian's No Sightline Solution maximizes privacy by completely eliminating all sightline gaps around the door.



Hardware



STAINLESS STEEL BRACKETS

Hadrian's #4 brush finished stamped stainless steel brackets extend the look and performance of stainless steel to the details of the installation.



STAINLESS STEEL WRAP-AROUND HINGES

#4 brushed stainless steel wrap-around hinges offer durability and flawless performance.



CONTINUOUS HINGE

Hadrian's 16-gauge continuous stainless steel hinge matches the finish of stainless steel partitions while covering the full height of the door. Featuring a stainless steel hinge pin, this heavy-duty option also obstructs the sightline on the hinge side of the door.



CONTINUOUS CHANNELS

Full height continuous stainless steel channels are available for all panel to pilaster, panel to wall and pilaster to wall connections. The full height channels match the finish of stainless steel partitions while also eliminating sightline gaps.



ANTI-GRIP HEADRAIL

Available in a standard anodized finish (shown) or brush finish to complement the look of stainless steel, Hadrian's double-ridge, anti-grip headrail design deters boisterous activity and consequent damage, while still offering a smooth track for shower curtain hooks.



BARRIER-FREE LEVER LATCH

Hadrian's exclusive thumbturn lever conforms to American Disability Act and Canadian barrier-free requirements. It can be activated with a short, easy movement and without finger-grip application.



SHOES

Pilaster shoes are available in #4 brushed stainless steel finish.



COAT HOOK

Hadrian offers a flat coat hook with a #4 brushed finish.



FASTENERS

Available in chrome or stainless steel, fasteners are theft-proof 6-lobe security head screws to deter vandalism.

Standard chrome hardware is also available for stainless steel toilet partitions.



hadrian®

Hadrian prides itself on being a professional and friendly company that is easy to deal with. We make it a priority to spend time getting to know our customers and work with them to meet the challenges of their specific market. Our local representatives ensure Architect, Interior Designer, Specification Writer, Government Planner, School Official and End-User sales coverage while also expeditiously addressing field support needs and jobsite concerns.

Form No. 300-011, 2/23 · Patent zurn.com/patents
US 1.440.942 9118 CANADA 1.905.333.0300
HADRIAN-INC.COM

by **ZURN ELKAY** Water Solutions

examples

Home > Tile > Shop By Material > Ceramic



Grout Shown: [Mapei 5002 Pewter Ultracolor Plus FA Grout](#)

VISUALIZE IT! SEE THIS PRODUCT IN A ROOM

CASTILLE PRISMA GRIS CERAMIC TILE

SKU 100040476

[View Specifications](#)

Size: 12 x 24



CALCULATE MY
SQUARE
FOOTAGE



Size Of Your Project:

Number of
boxes

Quantity of boxes

\$31.23 / box

1 +

Add 10% for contingency
(Free in-store returns)

examples



Grout Shown: [Mapei 5002 Pewter Ultracolor Plus FA Grout](#)

VISUALIZE IT! SEE THIS PRODUCT IN A ROOM

CASTILLE PRISMA GRIS CERAMIC TILE



SKU: 100040476

[View Specifications](#)

Size: 12 x 24



CALCULATE MY
SQUARE
FOOTAGE



Size Of Your Project:



Number of
boxes

Quantity of boxes

\$31.23 / box

— 1 +

Add 10% for contingency
(Free in-store returns)



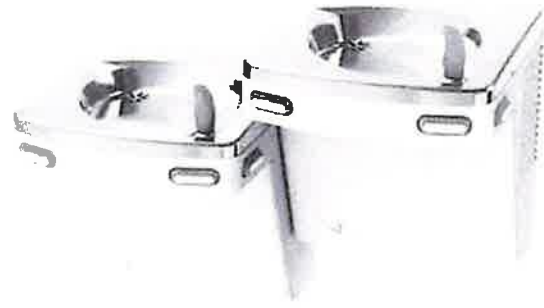
We Know Water.

BI-LEVEL VERSACOOLER® II

- PG8ACSL
- PGACSL

Suggested Specification

Model PG8ACSL shall deliver 8.0 gph of 50°F water at 90°F ambient and 80°F inlet water per ASHRAE 18 testing. Model PGACSL is a non-refrigerated drinking fountain and delivers ambient water. Shall include four push pads. Basin shall be designed to eliminate splashing and standing water. Water saver bubbler to reduce waste water by 50% and shall have flexible guard and operate between 20 and 100 PSI. Cabinet finish shall be brushed stainless steel or greystone on galvanized steel. Shall use R-134a refrigerant. Shall comply with ANSI 117.1 and ADA. Shall be listed by Underwriters Laboratories to US and Canadian standards. Shall comply with NSF/ANSI 61 and NSF/ANSI 372.



	PG8ACSL	PGACSL
Features:	Universal design allows universal installation	
	Built-in 100 micron strainer stops particles before they enter the waterway	
	Waterways are Lead-Free in materials & construction	
	Flexible and one-piece water saver bubbler	
	Stainless steel top and heavy duty galvanized steel frame	
	Four push pads per side	
Filtration:	Option to add Versafilter Filtration System	
	Option to add Versafilter Filtration System	
Power:	115 Volts, 60 Hz	
Activation By:	Manual Activation	
Mounting Type:	Wall Mounted	
Chilling Option:	8.0 gph	Non-Refrigerated
Installation Location:	Indoor	

Installation

- Prior to rough-in consult with local, state and federal codes for proper mounting height
- Shipped with complete instructions and wall mounting bracket
- Removable side and front panels provide easy access for installation

Finishes

- Standard cabinet finish: Greystone powder coated paint on galvanized steel
- Optional finishes: Sandstone powder coated point; Stainless steel (at additional cost)

Options

- Push handle glass fillers (029603-004)
- One piece chrome plated brass bubbler (036700-001)
- Cane apron (035174-001)
- VersaFilter

Limited 5-Year Warranty

(Continental limits of the United States and Canada) Five years on the sealed refrigeration system and most component parts. Detailed warranty certificate enclosed with each water cooler; sample available upon request.

Export Warranty

One year on components parts. Detailed warranty certificate enclosed with each drinking fountain; sample copy available upon request.

Certifications/Compliance

- Certified to UL 399 and CAN/CSA C22.2 No.120 (electric water coolers only)
- Product Certified to NSF/ANSI Standard 61-G & 372 and conforms with the lead content requirements for "Lead Free" plumbing as defined by California, Vermont, Maryland, and Louisiana state laws and the U.S. Safe Drinking Water Act.
- These water coolers comply with the requirements of ADA (Americans with Disabilities Act) when properly installed.



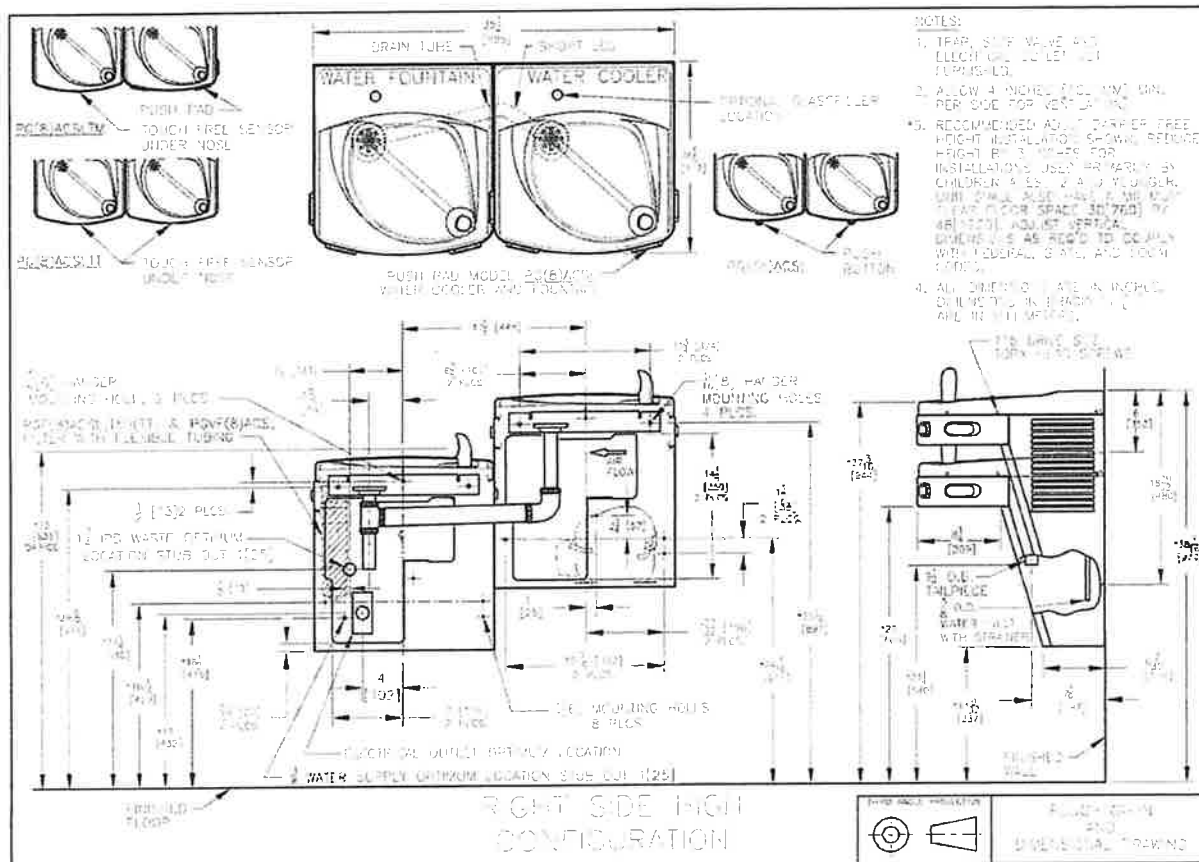
WARNING:
Cancer and Reproductive Harm
www.P65Warnings.ca.gov

*Industry standard rating condition 80°F inlet water temperature



Specifications subject to change without notice

OASIS® BI-LEVEL VERSACOOLER® II MODELS





SLOAN® SENSOR FLUSHOMETER SLOAN 111 SFSM-1.6-TMO

CODE NUMBER

3780039

DESCRIPTION

1.6 gpf, Polished Chrome Finish, 1.5" Flush Connection, Fixture Connection Top Spud. Single Flush, 1" Inlet, 1" Control Stop. True Mechanical Override, Battery, Infrared, Sloan® Exposed Sensor Water Closet Flushometer.

DETAILS

- Flush Volume: 1.6 gpf (6.0 Lpf)
- Finish: Polished Chrome
- Power Type: Battery
- Battery Life: 3 years
- Valve: Diaphragm
- Valve Body Material: Semi-red Brass
- Fixture Type: Water Closet
- Fixture Connection: Top Spud
- Rough-In Dimension: 11 1/2" (292mm)
- Spud Coupling: 1 1/2" (38mm)
- Supply Pipe: 1" (25mm)
- Override: True Mechanical
- Control Stop: 1"
- Inlet: 1"
- Flush Connection: 1.5"

FEATURES

- True Mechanical Override Flush Button
- Four (4) size C batteries included
- "Low Battery" Flashing LED
- "User in View" Flashing LED
- 72-Hour Sentinel Flush
- 1" I.P.S. Screwdriver Bak-Chek® Angle Stop with Vandal Resistant Stop Cap
- Sweat Solder Adapter w/Cover Tube and Cast Wall Flange with Set Screw
- No External Volume Adjustment to Ensure Water Conservation
- Stop Seat and Vacuum Breaker Molded from PERMEX® Rubber Compound for Chloramine resistance



COMPLIANCES & CERTIFICATIONS



(ADA Compliant, BAA Compliant, BABAA Compliant, cUPC Certified, UPC Certified)

RECOMMENDED SPECIFICATION

Valve Body, Cover, Tailpiece and Control Stop shall be in conformance with ASTM Alloy Classification for Semi- Red Brass. Valve shall be in compliance with the applicable sections of ASSE 1037 and ANSI/ASME 112.19.2.

ELECTRICAL SPECIFICATIONS

- Battery Life: 3 years
- Flush Delay: 3s
- Sensor Range: 22"-42" (559-1,067mm)

VALVE OPERATING PRESSURE (FLOWING)

15-80 PSI (103-552 kPa). Specific fixtures may require greater minimum flowing pressure - consult manufacturer requirements.

DOWNLOADS

- [Sloan Exposed Installation Instructions](#)
- [EL-700/750-A Installation Instructions](#)
- [Sloan Exposed \(Spanish\) Installation Instructions](#)
- [EBV-500/550-A Installation Instructions](#)
- [Control Stop Repair and Maintenance Guide](#)
- [Flush Connections Flanges Repair and Maintenance Guide](#)
- [Tail Piece Repair and Maintenance Guide](#)
- [Sloan Flushometer Repair and Maintenance Guide](#)
- [EBV500/EBV550 Repair and Maintenance Guide](#)
- [Additional Downloads](#)

NOTES

All information contained within this document subject to change without notice.

Looking for other variations of the SLOAN 111 SFSM product?
[View the general spec sheet with all options.](#)

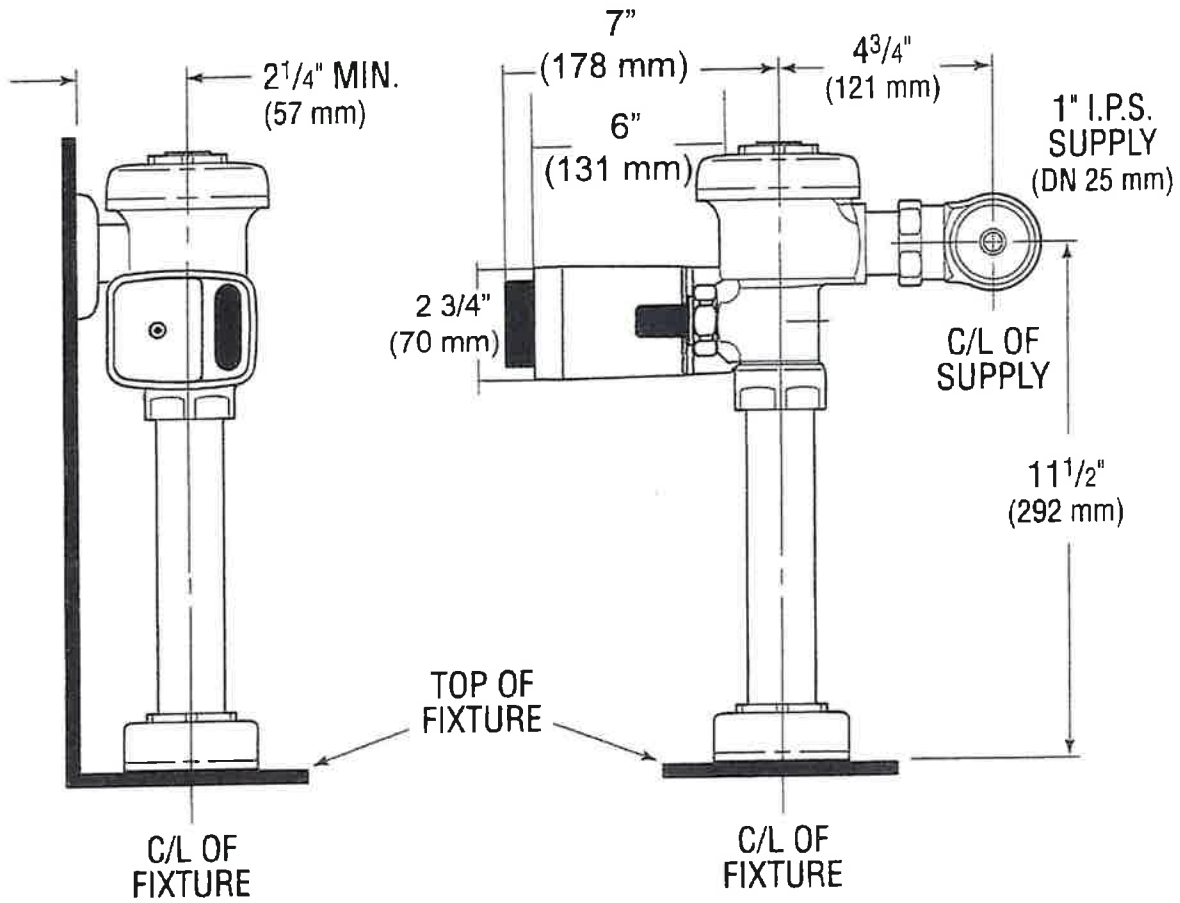
Sloan 10500 Seymour Ave, Franklin Park, IL 60131
Phone: 800.982.5839 • Fax: 800.447.8329 • [sloan.com](#)

Battery life varies according to actual usage and restroom conditions.

WARRANTY

[View Warranty Information](#)

ROUGH-IN





Highcliff™ Ultra
 Top spud flushometer bowl
K-96057

Features

- Elongated bowl offers added room and comfort
- 1-1/2" (38 mm) top spud
- 2-1/8" (54 mm) fully glazed trapway
- 10" x 7" (254 mm x 178 mm) water surface
- 1.0 gpf (3.8 lpf), 1.1 gpf (4.2 lpf), 1.28 (4.8 lpf), or 1.6 gpf (6.0 lpf) depending on flushometer specified
- Also available with antimicrobial finish K-96057-SS
- 10" or 12" (254 or 305 mm) rough-in
- Supports static load of 2,500 lbs



Material

- Vitreous china

Technology

- Designed to outperform competitors in bowl cleanliness and plug resistance
- Maximum waste removal
- Engineered for toilet seat cover removal
- Excellent bowl rinse
- Engineered to flush effectively in buildings with low supply pressure and flow
- Maximum drain line carry at all flush volumes per ASME standard

Installation

- Replaces Highcrest K-4302, Highcliff K-4368 and Highline K-4405. Height and footprint may vary



Codes/Standards


- ASME A112.19.2/CSA B45.1
- DOE - Energy Policy Act 1992
- EPA WaterSense®
- California Energy Commission (CEC)
- ADA
- ICC/ANSI A117.1
- CSA B651
- OBC
- IAPMO Certification

KOHLER® One-Year Limited Warranty

See website for detailed warranty information.

Available Colors/Finishes

Color tiles intended for reference only.

Color	Code	Description
	0	White
	96	Biscuit
	7	Black Black™

1-800-4KOHLER (1-800-456-4537)

Kohler Co. reserves the right to make revisions without notice to product specifications.

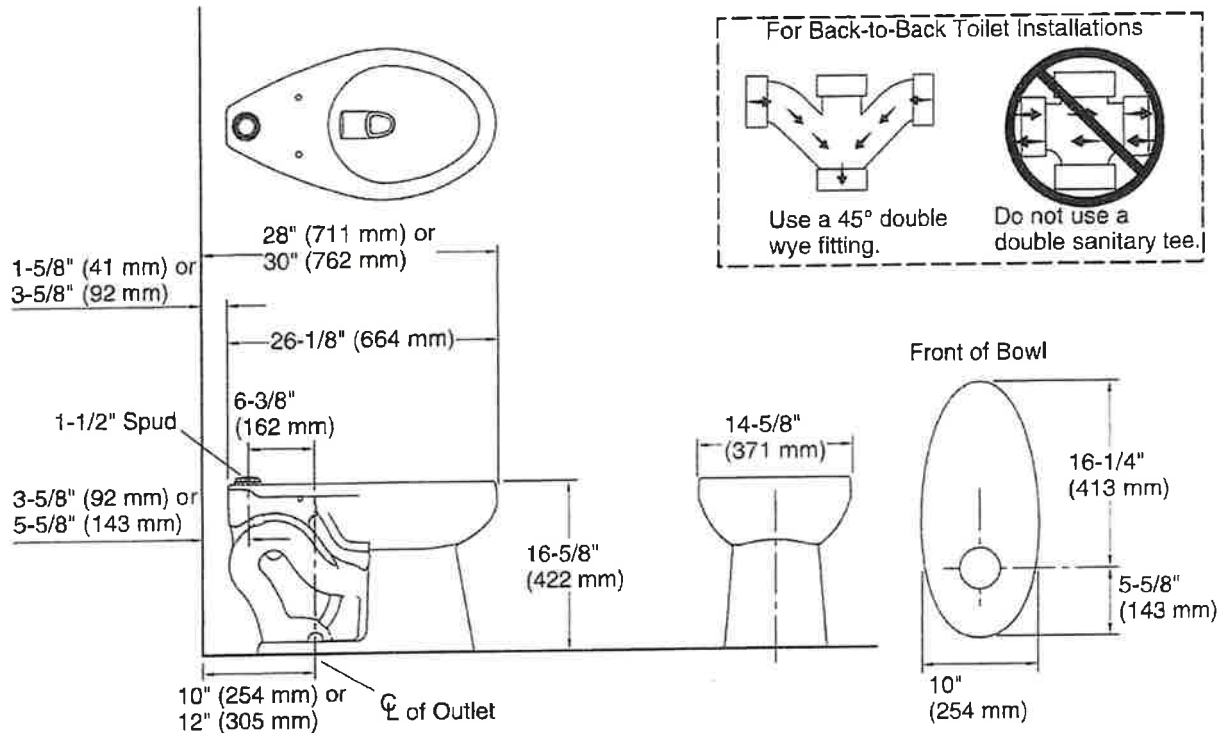
For the most current Specification Sheet, go to www.kohler.com USA or www.kohler.ca Canada

7-3-2024 20:24 - US



KOHLER®

Highcliff™ Ultra Top spud flushometer bowl K-96057



Technical Information

All product dimensions are nominal.

Toilet type:	Floor-mount
Waste Outlet:	Floor
Bowl shape:	Elongated
Flush type:	Flushometer valve siphon
Spud size:	1 1/2, Inlet, Top
Trap passageway:	2-1/8" (54 mm)
Water surface size:	10" x 7" (254 mm x 178 mm)
Rim to water surface:	6" (152 mm)
Rough-in:	12" (305 mm)
Seat-mounting holes:	5-1/2" (140 mm)

Fixture Supply Requirements

Min static pressure:	35 psi (241.3 kPa)
Max static pressure:	80 psi (551.6 kPa)
Min flowing pressure:	25 psi (172.4 kPa)

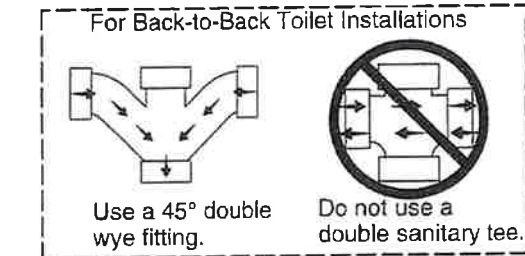
Min flow rate: 2.5 gpm (94.6 lpm)

1-800-4KOHLER (1-800-456-4537)

Kohler Co. reserves the right to make revisions without notice to product specifications.

For the most current Specification Sheet, go to www.kohler.com USA or www.kohler.ca Canada

7-3-2024 20:24 - US



Notes

Install this product according to the installation instructions.

For back-to-back toilet installations: Use only a 45° double wye fitting.

ADA, OBC, CSA B651 compliant when installed to the specific requirements of these regulations.

Plumbing codes may require elongated toilets and elongated, open-front seats in public bathrooms.

Accessibility standards may require controls to be located on the open side of the toilet.

THE BOLD LOOK
OF **KOHLER**®



Wellcomme™ Ultra
Top spud flushometer bowl
K-96053

Features

- Elongated, Standard height bowl
- 1-1/2" (38 mm) top spud
- 10" x 7" (254 mm x 178 mm) water surface
- 2-1/8" (54 mm) fully glazed trapway
- 10" or 12" (254 or 305 mm) rough-in
- 1.0 gpf (3.8 lpf), 1.1 gpf (4.2 lpf), 1.28 (4.8 lpf), or 1.6 gpf (6.0 lpf) depending on flushometer specified
- Also available with antimicrobial finish K-96053-SS



Material

- Vitreous china

Technology

- Designed to outperform competitors in bowl cleanliness and plug resistance
- Maximum waste removal
- Engineered for toilet seat cover removal
- Excellent bowl rinse
- Engineered to flush effectively in buildings with low supply pressure and flow
- Maximum drain line carry at all flush volumes per ASME standard

Installation

- Replaces Wellcomme K-4350 and Wellworth K-4406. Height and footprint may vary



Codes/Standards


ASME A112.19.2/CSA B45.1
DOE - Energy Policy Act 1992
EPA WaterSense®
California Energy Commission (CEC)
IAPMO Certification

KOHLER® One-Year Limited Warranty

See website for detailed warranty information.

Available Colors/Finishes

Color tiles intended for reference only.

Color	Code	Description
	0	White
	96	Biscuit
	7	Black Black™

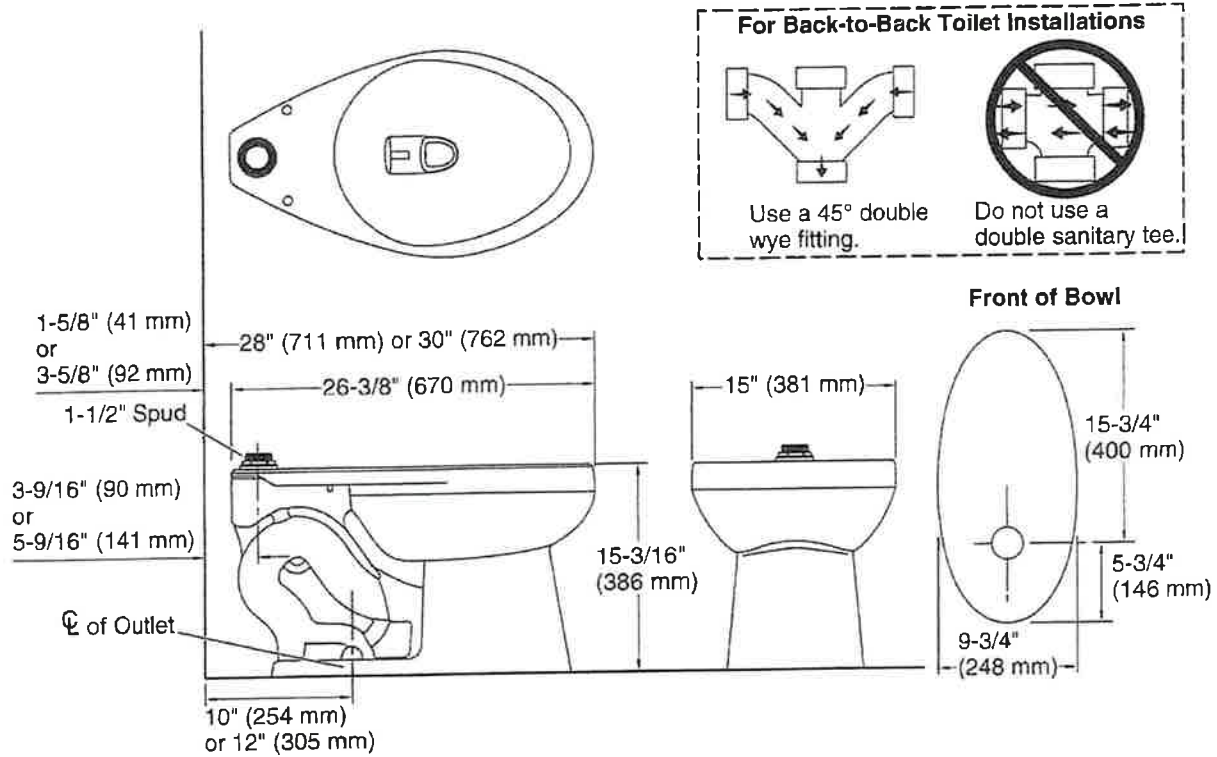
1-800-4KOHLER (1-800-456-4537)

Kohler Co. reserves the right to make revisions without notice to product specifications. For the most current Specification Sheet, go to www.kohler.com USA or www.kohler.ca Canada
7-3-2024 20:52 - US

THE BOLD LOOK
OF **KOHLER.**

KOHLER®

Wellcomme™ Ultra Top spud flushometer bowl K-96053



Technical Information

All product dimensions are nominal.

Toilet type:	Floor-mount
Waste Outlet:	Floor
Bowl shape:	Elongated
Flush type:	Flushometer valve siphon
Spud size:	1 1/2, Inlet, Top
Trap passageway:	2-1/8" (54 mm)
Water surface size:	10" x 7" (254 mm x 178 mm)
Rim to water surface:	6" (152 mm)
Rough-in:	12" (305 mm)
Seat-mounting holes:	5-1/2" (140 mm)

Fixture Supply Requirements

Min static pressure:	35 psi (241.3 kPa)
Max static pressure:	80 psi (551.6 kPa)
Min flowing pressure:	25 psi (172.4 kPa)

1-800-4KOHLER (1-800-456-4537)

Kohler Co. reserves the right to make revisions without notice to product specifications.

For the most current Specification Sheet, go to www.kohler.com USA or www.kohler.ca Canada

7-3-2024 20:52 - US

Notes

Install this product according to the installation instructions.

For back-to-back toilet installations: Use only a 45° double wye fitting.

If Fixture Supply Pressure is below 35 psi static, then fixture must be paired with a valve rated at 1.28 gpf or greater.

THE BOLD LOOK
OF **KOHLER**



SLOAN® SENSOR FLUSHOMETER SLOAN 186 SFSM-1.0-TMO

CODE NUMBER

3782685

DESCRIPTION

1.0 gpf, Polished Chrome Finish, 0.75 Flush Connection, Fixture Connection Top Spud, Single Flush, 0.75" Inlet, 3/4" Control Stop, True Mechanical Override, Battery, Infrared, Sloan® Exposed Sensor Urinal Flushometer.

DETAILS

- Flush Volume: 1.0 gpf (3.8 Lpf)
- Finish: Polished Chrome
- Power Type: Battery
- Battery Life: 3 years
- Valve: Diaphragm
- Valve Body Material: Semi-red Brass
- Fixture Type: Urinal
- Fixture Connection: Top Spud
- Rough-In Dimension: 11 1/2" (292mm)
- Spud Coupling: 3/4" (19mm)
- Supply Pipe: 3/4" (19mm)
- Override: True Mechanical
- Control Stop: 3/4"
- Inlet: 0.75"
- Flush Connection: 0.75"

FEATURES

- Four (4) size C batteries included
- "Low Battery" Flashing LED
- "User in View" Flashing LED
- No External Volume Adjustment to Ensure Water Conservation
- True Mechanical Override Flush Button
- 72-Hour Sentinel Flush
- Sweat Solder Adapter w/Cover Tube and Cast Wall Flange with Set Screw
- Stop Seat and Vacuum Breaker Molded from PERMEX® Rubber Compound for Chloramine resistance
- PERMEX high-efficiency synthetic rubber diaphragm with linear filtered bypass and Vortex Cleansing Action™
- 3/4" IPS screwdriver Bak-Chek® angle stop with vandal resistant stop cap



COMPLIANCES & CERTIFICATIONS



(ADA Compliant, BAA Compliant, BABAA Compliant, cUPC Certified, UPC Certified)

RECOMMENDED SPECIFICATION

Valve Body, Cover, Tailpiece and Control Stop shall be in conformance with ASTM Alloy Classification for Semi- Red Brass. Valve shall be in compliance with the applicable sections of ASSE 1037 and ANSI/ASME 112.19.2.

ELECTRICAL SPECIFICATIONS

- Battery Life: 3 years
- Flush Delay: 1s
- Sensor Range: 15"-30" (381-762mm)

VALVE OPERATING PRESSURE (FLOWING)

15-80 PSI (103-552 kPa). Specific fixtures may require greater minimum flowing pressure - consult manufacturer requirements.

DOWNLOADS

- [Sloan Exposed Installation Instructions](#)
- [Sloan Exposed \(Spanish\) Installation Instructions](#)
- [EBV-500/550-A Installation Instructions](#)
- [EL-700/750-A Installation Instructions](#)
- [Control Stop Repair and Maintenance Guide](#)
- [Flush Connections Flanges Repair and Maintenance Guide](#)
- [Tail Piece Repair and Maintenance Guide](#)
- [Sloan Flushometer Repair and Maintenance Guide](#)
- [EBV500/EBV550 Repair and Maintenance Guide](#)
- [Additional Downloads](#)

NOTES

All information contained within this document subject to change without notice.

Looking for other variations of the SLOAN 186 SFSM product?
[View the general spec sheet with all options.](#)

Sloan 10500 Seymour Ave, Franklin Park, IL 60131
Phone: 800.982.5839 • Fax: 800.447.8329 • sloan.com



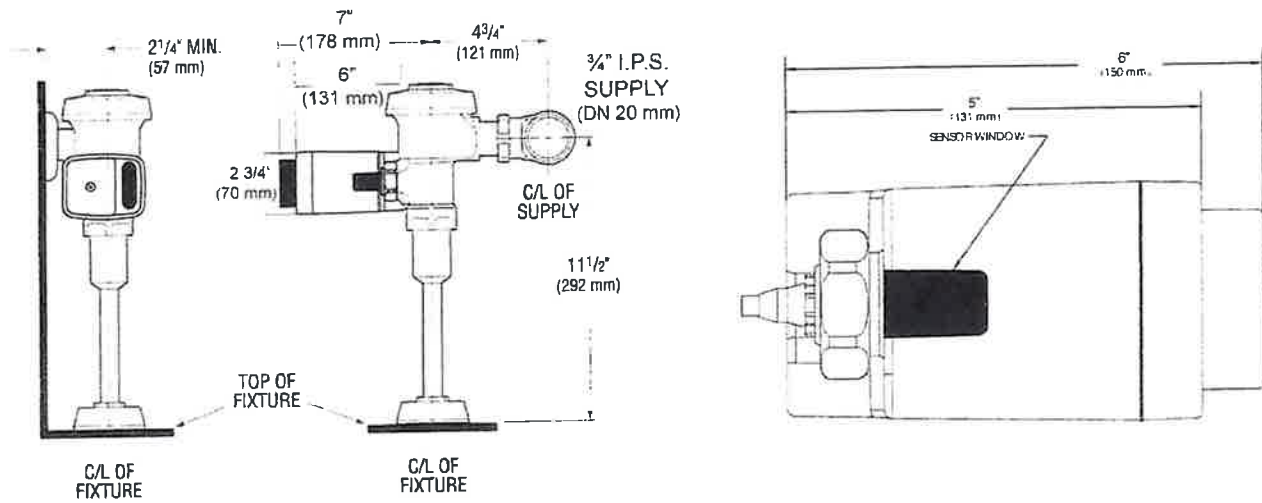
SLOAN® SENSOR FLUSHOMETER SLOAN 186 SFSM-1.0-TMO

Battery life varies according to actual usage and restroom conditions.

WARRANTY

[View Warranty Information](#)

ROUGH-IN



Sloan 10500 Seymour Ave, Franklin Park, IL 60131
Phone: 800.982.5839 • Fax: 800.447.8329 • sloan.com

KOHLER®

Bardon™ High-Efficiency Urinal K-4991-ET

Features

- Washout urinal
- 3/4" (19 mm) top spud
- 0.125 - 1.0 gpf (0.47 - 3.8 lpf)
- Will replace K-4904-ET

Material

- Vitreous china

Installation

- 14" (356 mm) extended rim



ADA CSA B651



Codes/Standards

ASME A112.19.2/CSA B45.1
DOE - Energy Policy Act 1992
EPA WaterSense®
California Energy Commission (CEC)
ADA
ICC/ANSI A117.1
CSA B651
IAPMO Certification

KOHLER® One-Year Limited Warranty

See website for detailed warranty information.

Available Colors/Finishes

Color tiles intended for reference only.

Color	Code	Description
	0	White
	96	Biscuit
■	7	Black Black™

1-800-4KOHLER (1-800-456-4537)

Kohler Co. reserves the right to make revisions without notice to product specifications.

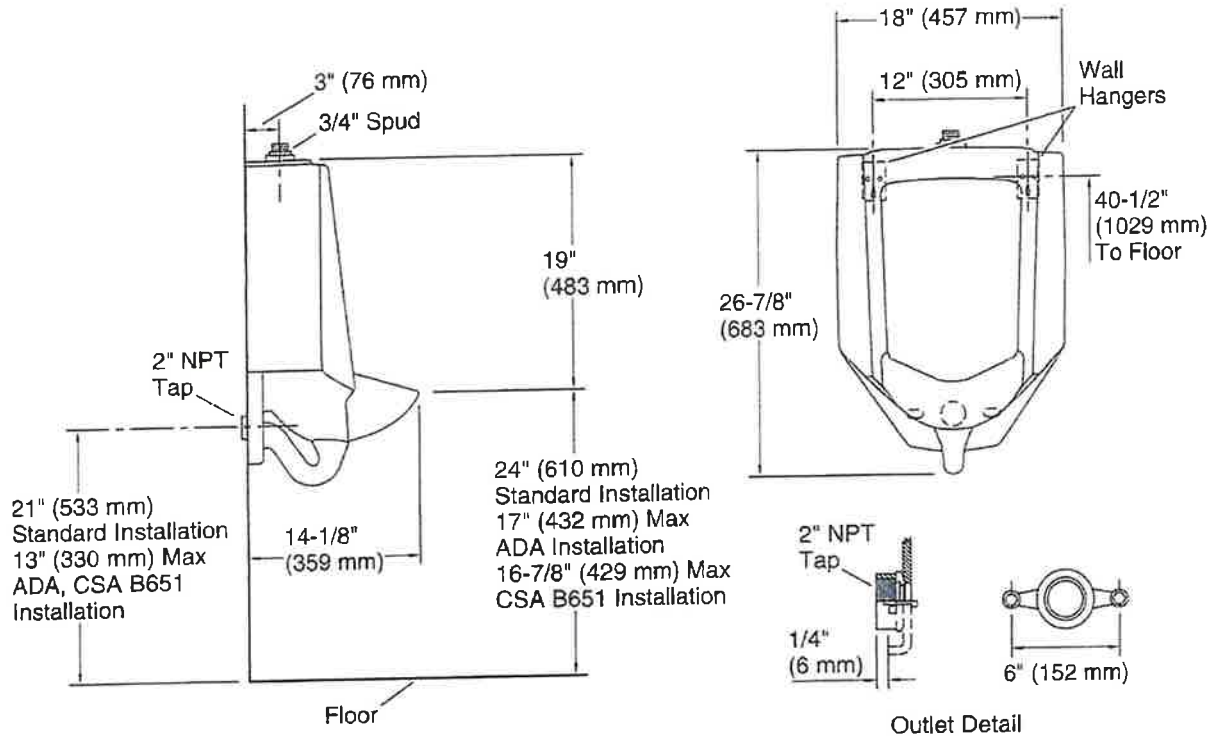
For the most current Specification Sheet, go to www.kohler.com USA or www.kohler.ca Canada

7-3-2024 20:42 - US

THE BOLD LOOK
OF **KOHLER.**



Bardon™
High-Efficiency Urinal
K-4991-ET



Technical Information

All product dimensions are nominal.

Spud size: 3/4", Inlet, Top

Min. Water per Flush: 0.125 gpf (0.5 lpf)

Max. Water per Flush: 1 gpf (3.8 lpf)

Designed for the above water use when installed with a water-saving flushometer.

Notes

Install this product according to the installation guide.

Refer to manufacturer's instructions and local codes for flushometer requirements.

Recommended ADA outlet spud height will account for normal product variation.

For ADA compliance, measurement must be 17" (432 mm) or less from the floor to the top of the lip. For CSA B651 compliance, measurement must be 16-7/8" (429 mm) or less from the floor to the top of the lip.

ADA, CSA B651 compliant when installed to the specific requirements of these regulations.

1-800-4KOHLER (1-800-456-4537)

Kohler Co. reserves the right to make revisions without notice to product specifications.

For the most current Specification Sheet, go to www.kohler.com USA or www.kohler.ca Canada

7-3-2024 20:42 - US

THE BOLD LOOK
OF **KOHLER**